

SCHEMATIC	SHEET
PAGE01 : Contents	1
PAGE02 : Block Diagram	2
PAGE03 : USB CONNECTOR/POWER	3
PAGE04 : LT8712EXI	4

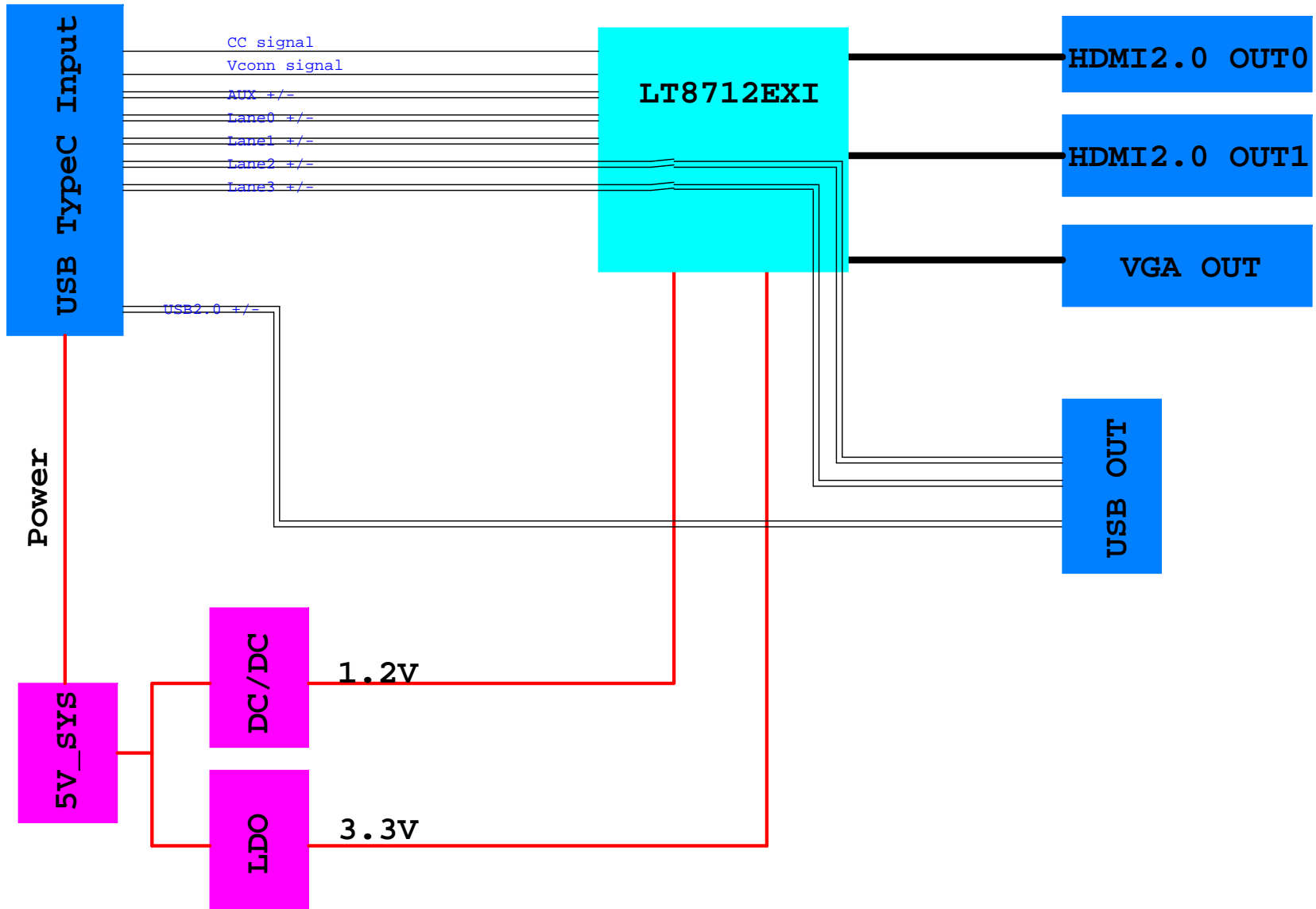
Layout Notes:

1. 100 ohms differential impedance on all HDMI trace pairs
2. 95 ohms differential impedance on all DP trace pairs
3. 90 ohms differential impedance on all USB trace pairs
4. Signle of xtal need to be isolated, and as short as possible
5. CC signals as short as possible

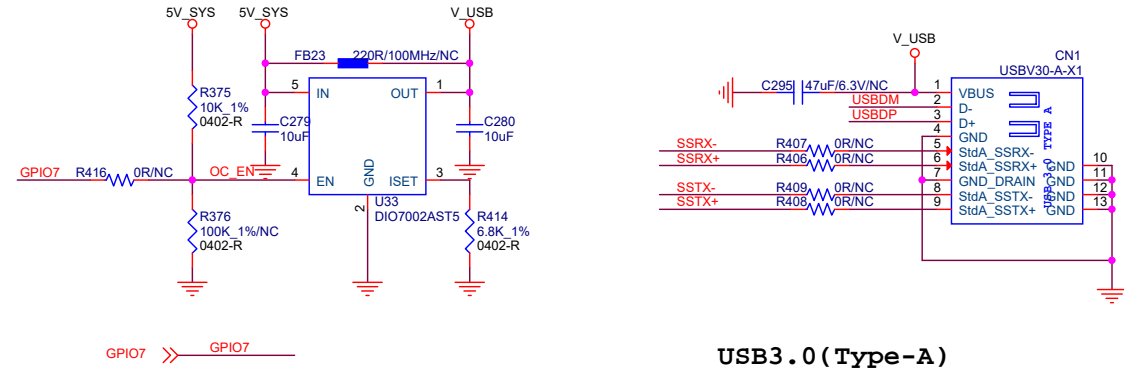
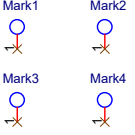
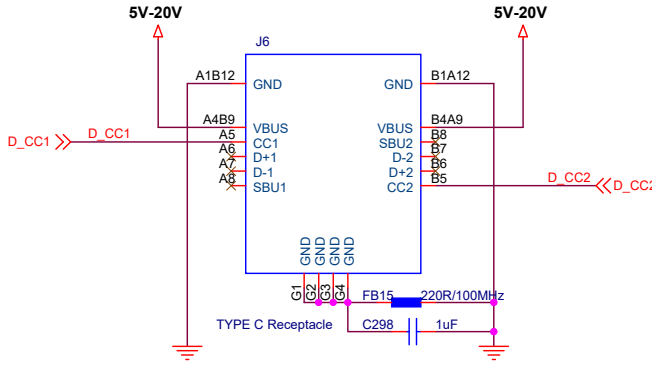
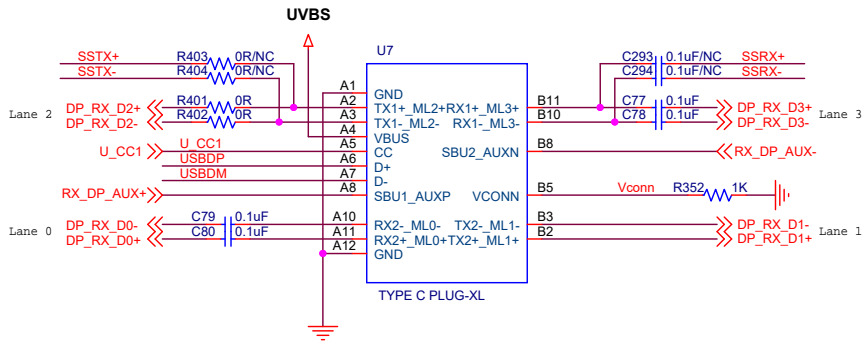
Revision History

Date	Version	Comments
2018.01.16	Ver 1	Preliminary release.
2018.06.14	Ver 1.1	Costdown and optimize
2018.07.04	Ver 2	Costdown and optimize
2018.08.03	Ver 2.1	Costdown and optimize
2019.04.02	Ver 2.2	Costdown
2019.05.16	Ver 3	Add PD3.0
2019.07.15	Ver 3_1	Change PD3.0 and add GPIO_6 for PD det Remove Aux switch
2020.03.03	Ver 3_2	1. Alignment grid; 2. Remove internal USB3.0 path of LT8712EXI; 3. Change PD Female ; 4. Change L3, L5 package to CD5020.

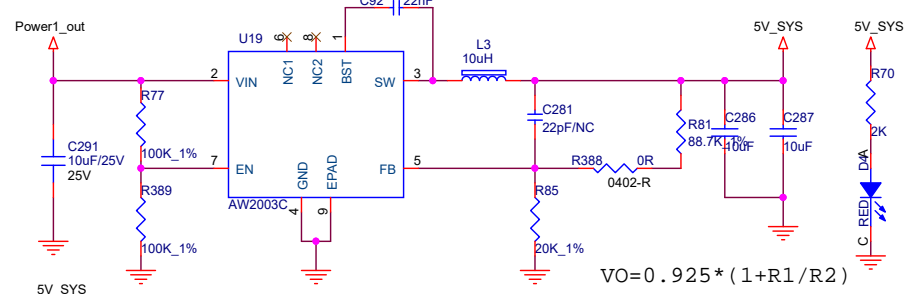
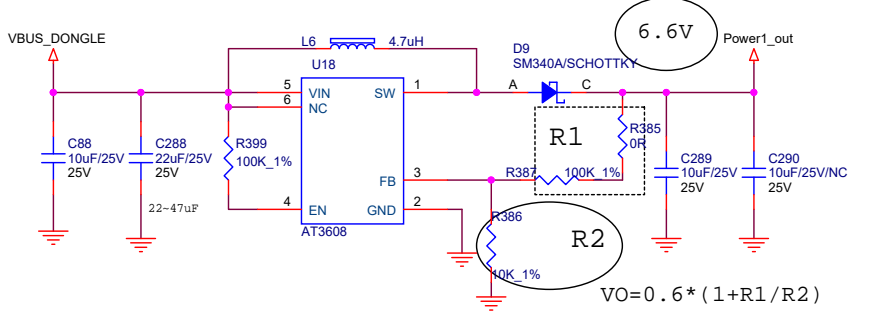
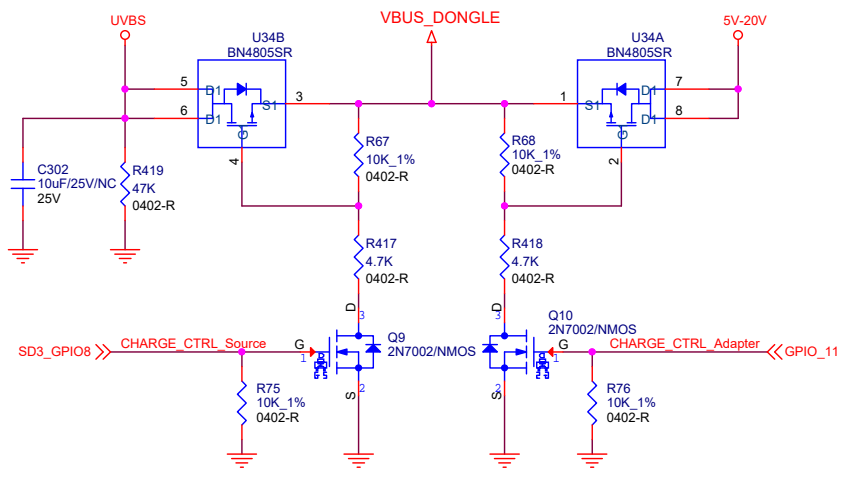
		龙迅半导体（合肥）股份有限公司	
Title Contents			
Size B	Document Number LT8712EXI_TYPEC_TO_HDMIX2+VGA+USB+PD3_0_HV3_2		Designer <RevCode>
Date:	Friday, April 10, 2020	Sheet	1 of 4



Captive Cable (To Notebook)

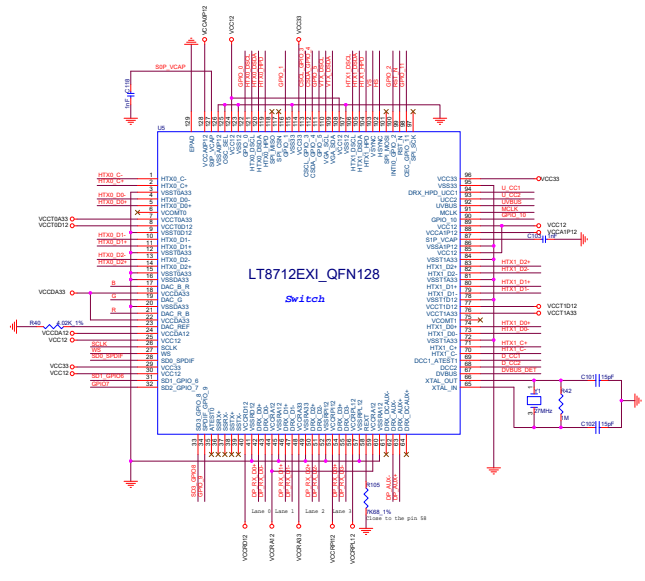


USB3.0 (Type-A)



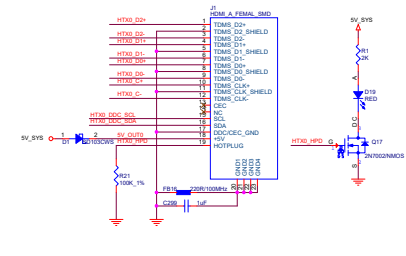
龙迅半导体 (合肥) 股份有限公司		
Title: USB CONNECTOR/POWER		
Size: B	Document Number: LT8712EX1_TYPEC_TO_HDMIX2+VGA+USB+PD3_0_HV3_2	Designer: <RevCode>
Date: Saturday, March 14, 2020	Sheet: 3	of 4

LT8712EXI

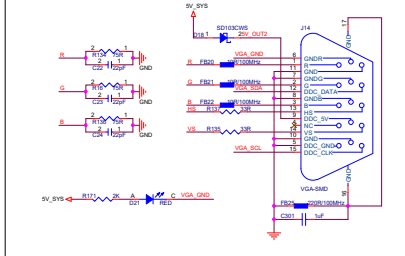


- SP_PD_0<1> SP_PD_0<2>
- SP_PD_0<1> SP_PD_0<2>
- SP_PD_0<1> SP_PD_0<2>
- SP_PD_0<1> SP_PD_0<2>
- SP_PD_0<1> SP_PD_0<2>
- SP_PD_0<1> SP_PD_0<2>
- SP_PD_0<1> SP_PD_0<2>
- SP_PD_0<1> SP_PD_0<2>

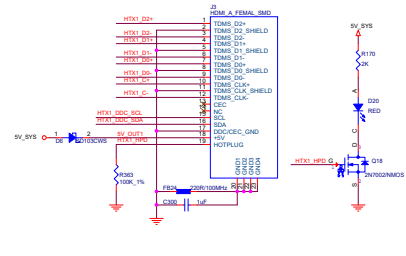
HDMI_0 out



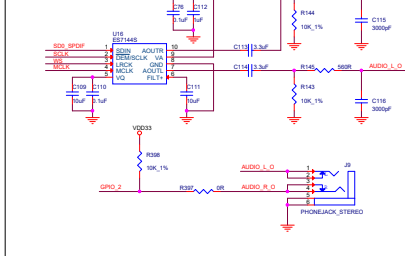
VGA out



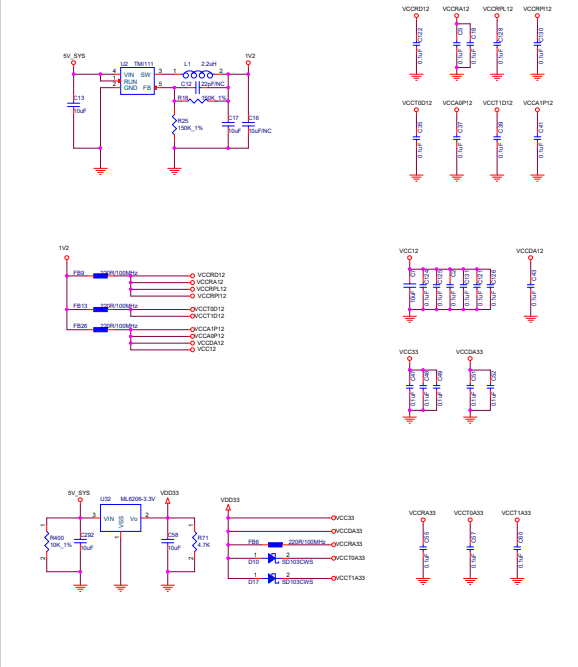
HDMI_1 out



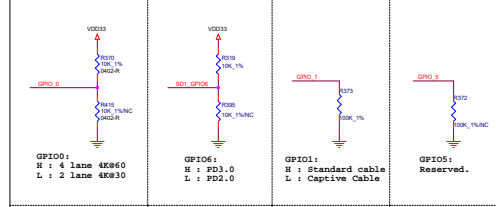
Audio out



Power

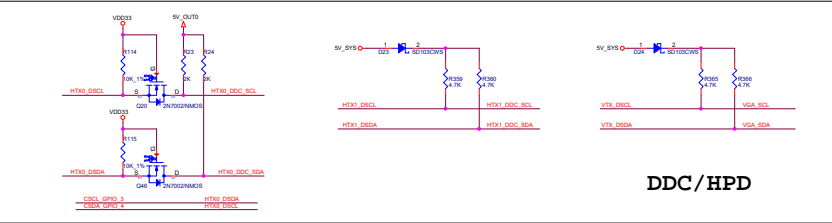
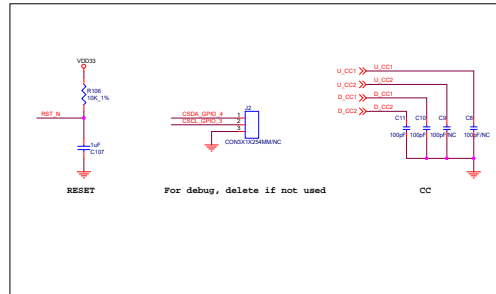


IO Function

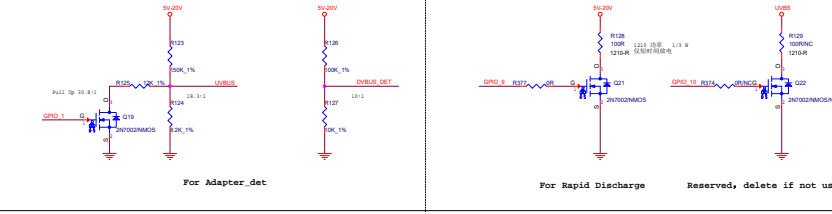


GPIO	Pin	Function
GPIO0	1	NC
GPIO1	2	GPIO1
GPIO2	3	GPIO2
GPIO3	4	GPIO3
GPIO4	5	GPIO4
GPIO5	6	Reserved
GPIO6	7	GPIO6
GPIO7	8	GPIO7
GPIO8	9	GPIO8
GPIO9	10	GPIO9
GPIO10	11	GPIO10
GPIO11	12	GPIO11
GPIO12	13	GPIO12
GPIO13	14	GPIO13
GPIO14	15	GPIO14
GPIO15	16	GPIO15
GPIO16	17	GPIO16
GPIO17	18	GPIO17
GPIO18	19	GPIO18
GPIO19	20	GPIO19
GPIO20	21	GPIO20
GPIO21	22	GPIO21
GPIO22	23	GPIO22
GPIO23	24	GPIO23
GPIO24	25	GPIO24
GPIO25	26	GPIO25
GPIO26	27	GPIO26
GPIO27	28	GPIO27
GPIO28	29	GPIO28
GPIO29	30	GPIO29
GPIO30	31	GPIO30
GPIO31	32	GPIO31

IO configuration is very important, please be sure to follow this form. NC resistances can be directly deleted, the other must be retained



PD3.0



AUX

